

KF.1090



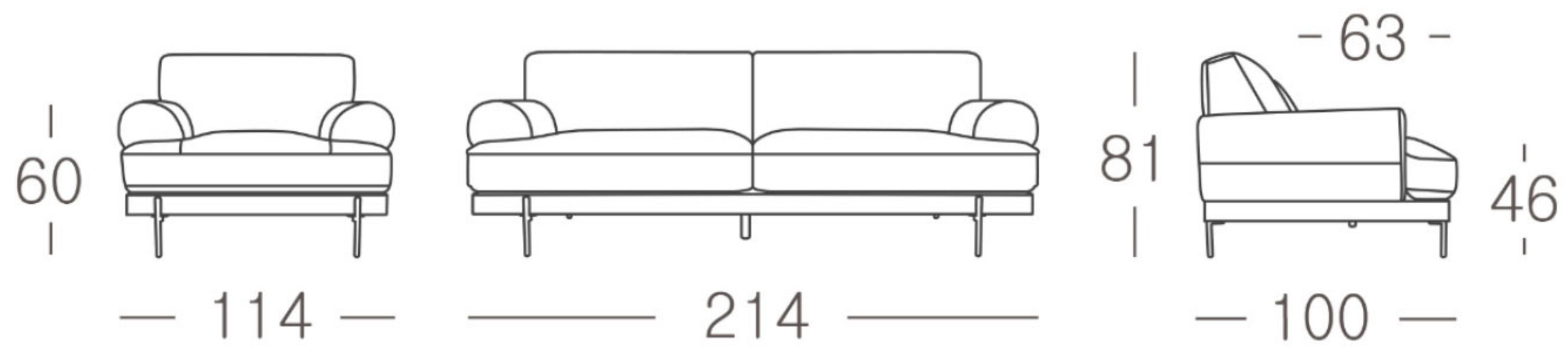
FEATURE

The retro round arms and 8cm wooden plinth based on the 16cm slim matte black metal legs, this sofa group is a perfect integration of modern and classic. Despite the unique design, it also provides a premium comfort experience. The seat and backrest are filled with high-resilient foam wrapped with 70% feather and 30% Dacron. Optional finishes for the wood plinth meet the different home settings to match the floor or carpets.





DIMENSIONS



Configuration	Width	Depth	Height	Seat depth	Seat height	Weight		CBM	40HQ	Package	Cover Option		Function
	cm	cm	cm	cm	cm	G.W.-Kg	N.W.-Kg			Quantity- pcs	Leather	Fabric	
1(2A)	114	100	81	63	46	46	38	0.8462	78	1	✓	✓	
2(2A)	174	100	81	63	46	53	47	1.4043	47	1	✓	✓	
3(2A)	214	100	81	63	46	66	61	1.6923	39	1	✓	✓	
3.5(2A)	234	100	81	63	46	66	61	1.8857	35	1	✓	✓	

Product style

- American Traditional
 American Transitional
 American Modern
 European Traditional
 European Transitional
 European Contemporary

Cover Option

- Leather
 Fabric
 Leather+Fabric
 PU

Type of Leg

- Wood
 Plastic
 Metal
 Metal+Wood
 PS: J-118~H160mm~(01.52.03385)

Construction

- | | | | | | |
|-------------|---------------------------------------------|-------------|---------------------------------------------|------------|--------------------------------------------|
| Seat | <input type="checkbox"/> Spring | Back | <input type="checkbox"/> Spring | Arm | <input type="checkbox"/> Webbing |
| | <input checked="" type="checkbox"/> Webbing | | <input checked="" type="checkbox"/> Webbing | | <input checked="" type="checkbox"/> Splint |
| | <input type="checkbox"/> Splint | | <input type="checkbox"/> Splint | | |

Filling

- | | | | | | |
|-------------|----------------------------------------------------|-------------|---------------------------------------------|------------|-------------------------------------------|
| Seat | <input type="checkbox"/> Fiber | Back | <input type="checkbox"/> Fiber | Arm | <input checked="" type="checkbox"/> Fiber |
| | <input checked="" type="checkbox"/> Foam <u>32</u> | | <input checked="" type="checkbox"/> Foam | | <input checked="" type="checkbox"/> Foam |
| | <input type="checkbox"/> Broken foam | | <input type="checkbox"/> Broken foam | | <input type="checkbox"/> Broken foam |
| | <input type="checkbox"/> Spring coil | | <input type="checkbox"/> Memory foam | | <input type="checkbox"/> Memory foam |
| | <input checked="" type="checkbox"/> Feather | | <input checked="" type="checkbox"/> Feather | | <input type="checkbox"/> Feather |

Seat Softness

- Standard
 Soft
 Firm

Package

- Carton
 Foil
 K/D arm
 No K/D
 K/D feet
 K/D back

Stitching

- Contrast stitching
 Match stitching
 Ribbon

Cushion

- | | | | |
|-------------|---------------------------------------------------|-------------|---------------------------------------------------|
| Seat | <input checked="" type="checkbox"/> loose cushion | Back | <input type="checkbox"/> loose cushion |
| | <input type="checkbox"/> Reversible loose cushion | | <input type="checkbox"/> Reversible loose cushion |
| | <input type="checkbox"/> Fixed cushion | | <input checked="" type="checkbox"/> Fixed cushion |