

KF.2118



B-748



B-1270-TP



C-1008



C-1009



C-1010



FEATURE

Ultimately modular, this corner sofa provides with authentic indulgent comfort. Extremely large cushions can be scattered as seat and back parts, rectangular lumbar cushions can be used to adapt to different sitting depths.



REVERSIBLE CUSHION

The cushions could be rotated upside-down and double sided to be used, of which the covers are also easier to be removed and washed.



FEATHER FILLER

Feather filling adds much softness and warmth to the sofa and makes it with sink-in comfort.



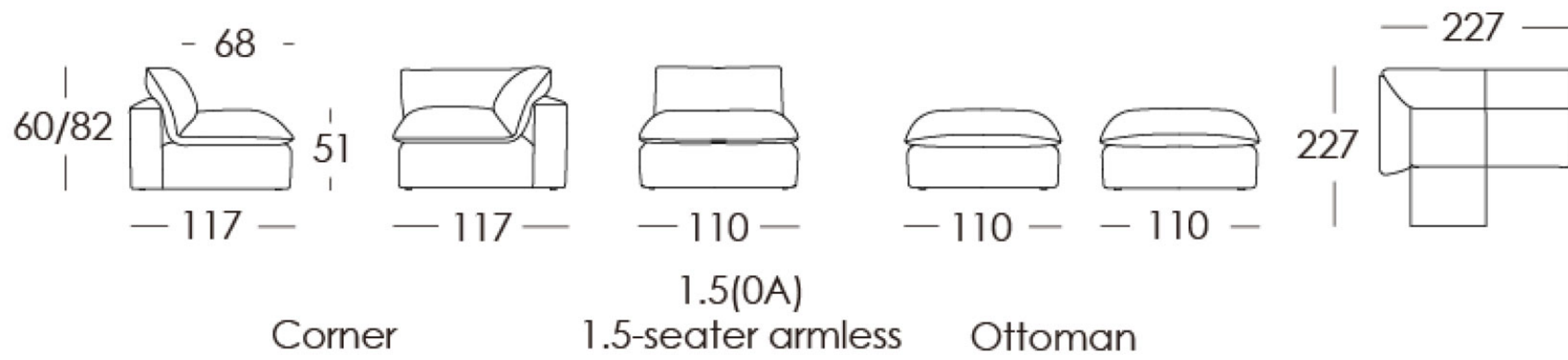
MODULARITY

Flexible modular seats and corner sections could be combined as per your preferences.

TECHNICAL SHEET

Product style	Cloud
Cover	Available in Fabric
Type of Leg	Plastic
Seat Construction	Spring and Webbing
Back Construction	Webbing
Seat Filling	Foam, Fiber, Feather
Back Filling	Foam, Fiber, Feather

Seat Softness	Soft
Package	Carton, NO K/D
Stitching	Match stitching
Cushion	Loose



CONFIGURATION	WEIGHT G.W.-Kg	WEIGHT N.W.-Kg	VOLUME (CBM)	LOAD -ABILITY (40HQ)	WIDTH CM	DEPTH CM	HEIGHT CM	SEAT DEPTH CM	SEAT HEIGHT CM	PACKAGE (PCS)	COVER OPTION LEATHER	COVER OPTION FABRIC
Corner	41	35	1.18	56	117	117	60/82	68	51	1		Y
1.5(0A)	37	31	0.96	69	110	117	60/82	68	51	1		Y
Ottoman	30	25	0.79	84	110	110	51			1		Y